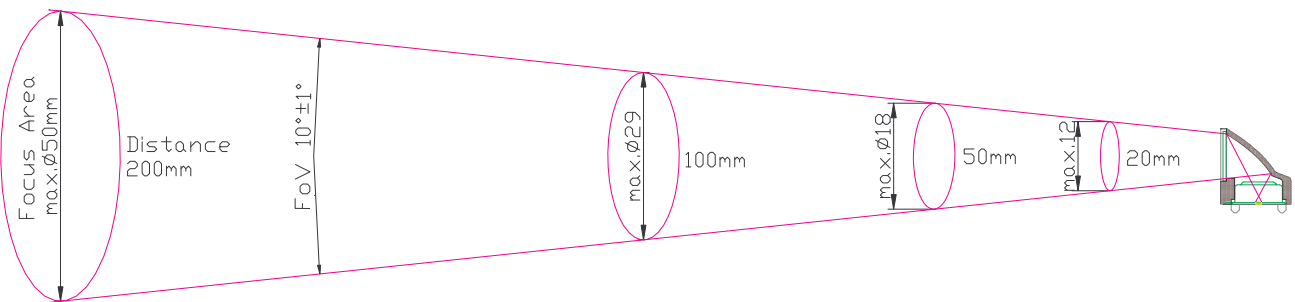


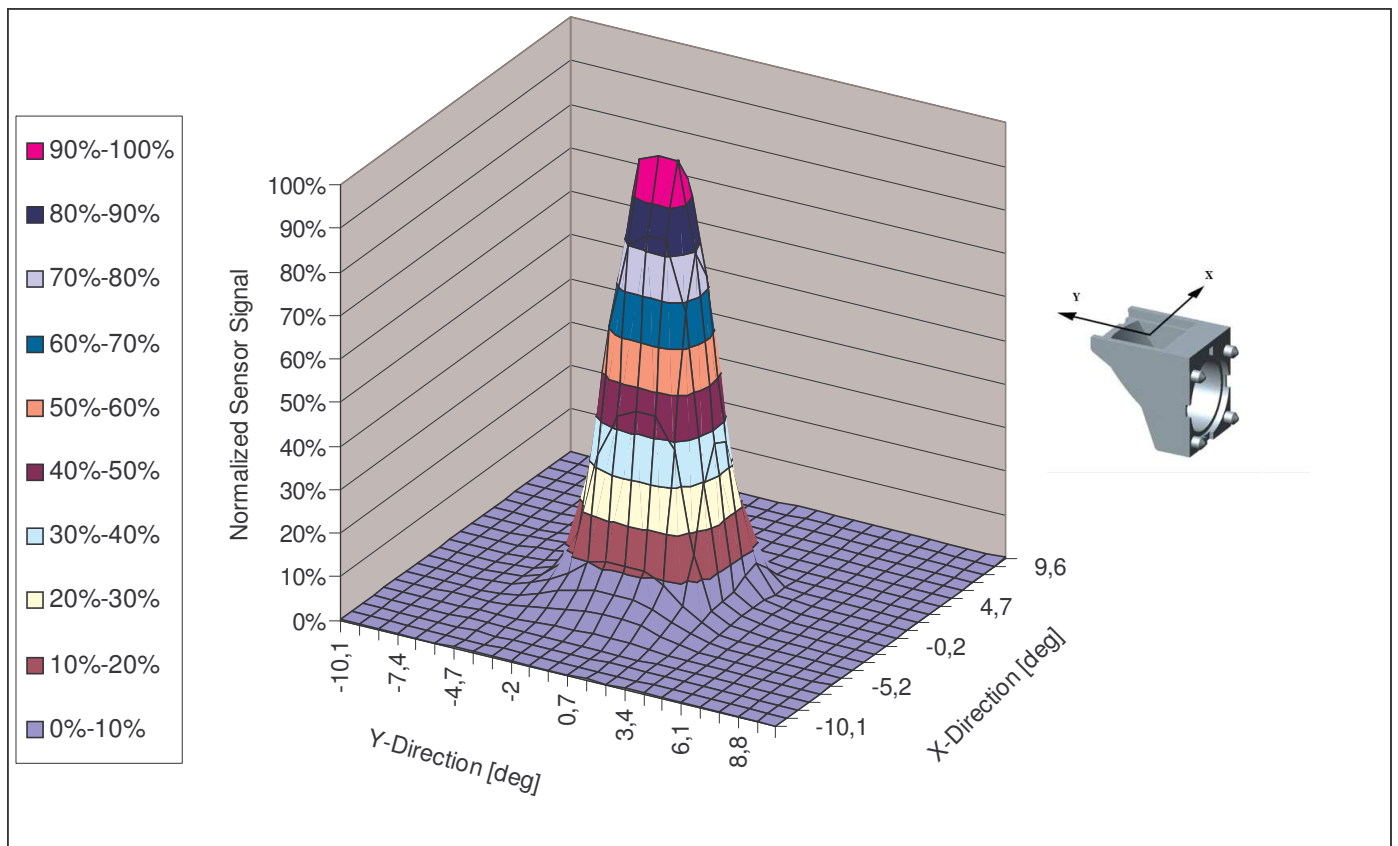


HEIMANN Sensor Integrated Module with Parabolic Mirror Optics – Field of View 4 : 1

Field of View and Focus Area at 5% Signal Cut On



Measured Field of View



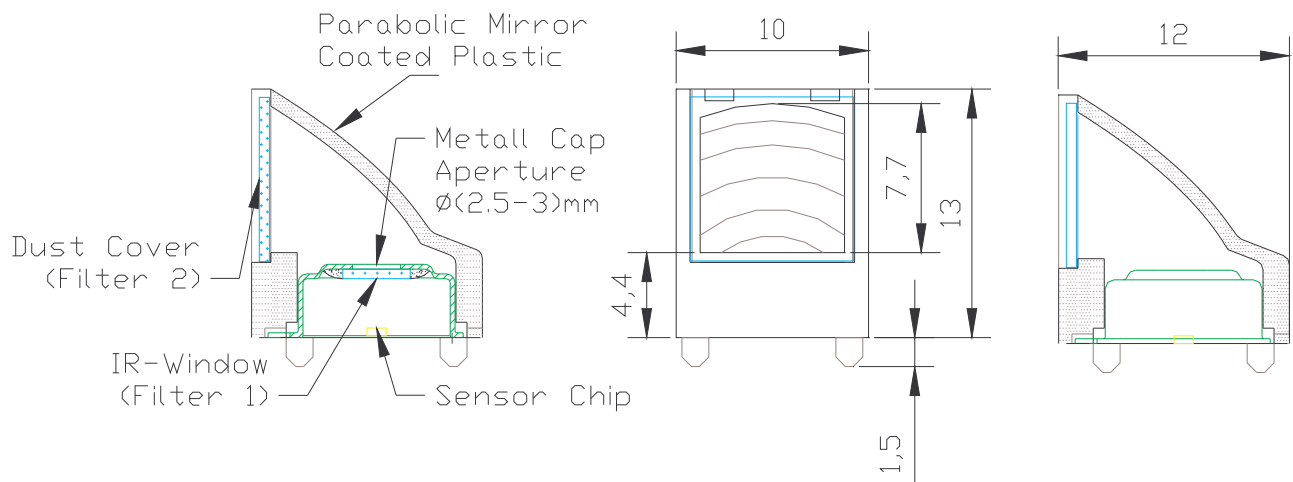


PRELIMINARY Datasheet



HEIMANN Sensor Integrated Module with Parabolic Mirror

Parabolic Mirror Dimensions and Construction



Filter Characteristics

