

Picture of a person with raised arms

HTPA8x8d

Infrared Thermopile Array Sensors for Remote Temperature Measurement and Imaging Applications

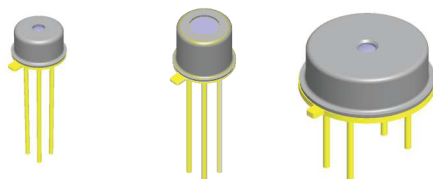
The HTPA8x8d is the world smallest infrared array sensor with a resolution of 8x8 Pixel inside a TO46 housing.

Due to the digital I²C interface only 4 pins are needed. It has a built-in EEPROM to store all calibration data and a 16-bit ADC. The speed can be set internally via the sensor clock and ADC-resolution between 89 Hz (highest resolution) and 160 Hz (lower resolution).

Available Optics

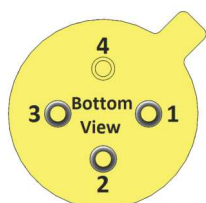
Optic	L0.8 (TO46)*	L2.1 (TO46)	L0.8 (TO39)
FoV [°]	47	23	47

* Only on request



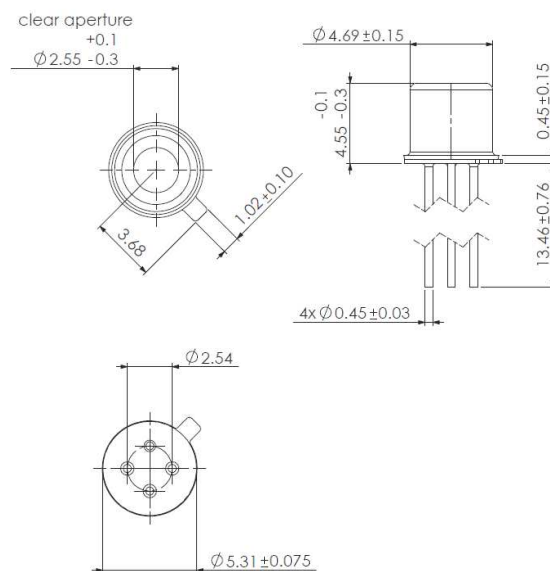
Pin Configuration

Pin	Function
1	SDA (I ² C)
2	Clock (I ² C)
3	3.3 V Supply
4	Ground



Dimensions

HTPA8x8L2.1, TO46 housing



Characteristics

Parameter	Value	Tolerance	Unit
Supply voltage (DC)	3.3	+ 0.3/-0.0	V
Current consumption	1.8	± 0.5	mA
Clock frequency (Sensor)	5	± 3	MHz
Ambient temperature range	-20 to 85		°C
Object temperature range	-20 to >1000		°C
Framerate	7 to 160		Hz
NETD	ca. 115		mK@1Hz