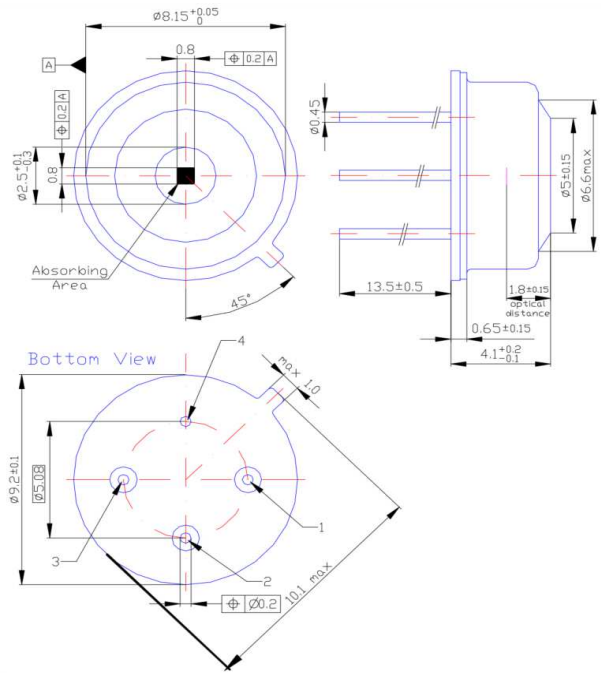
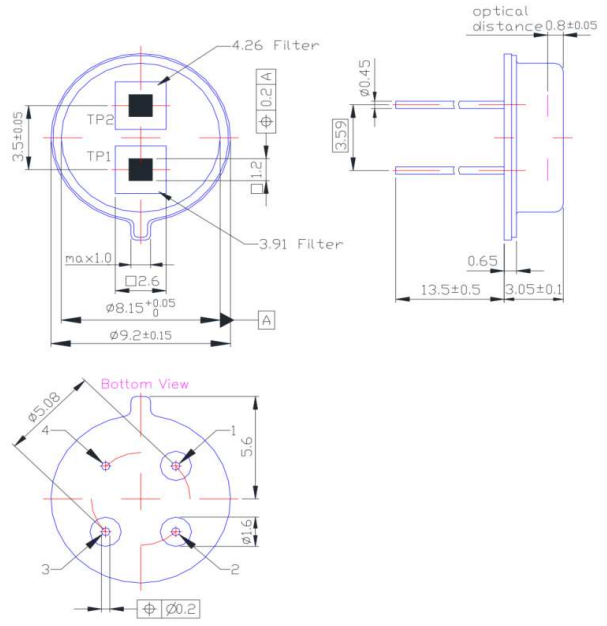


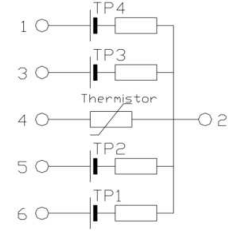
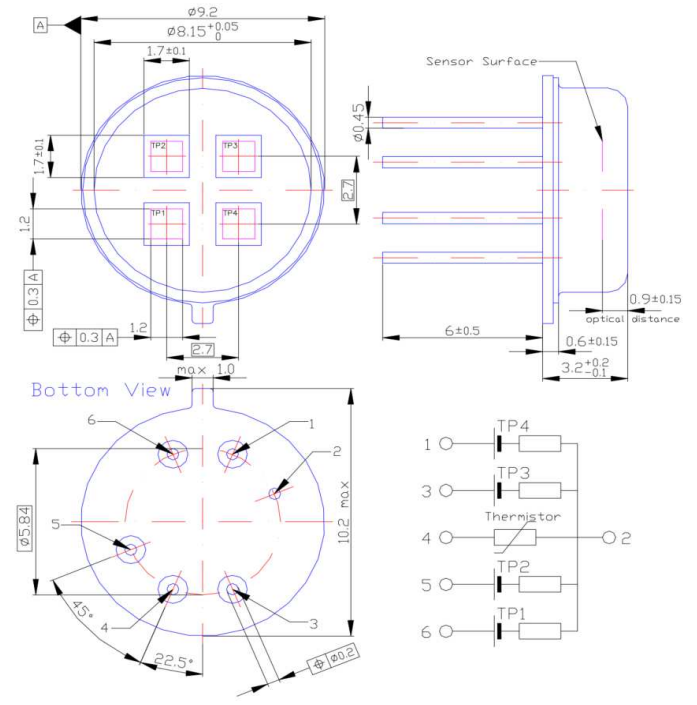
HTS A1C2



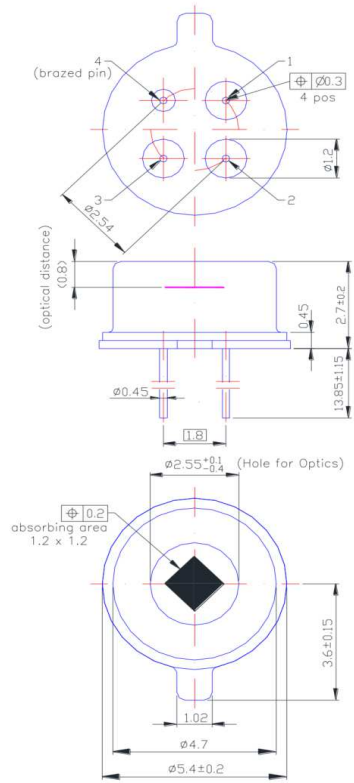
HTS E21



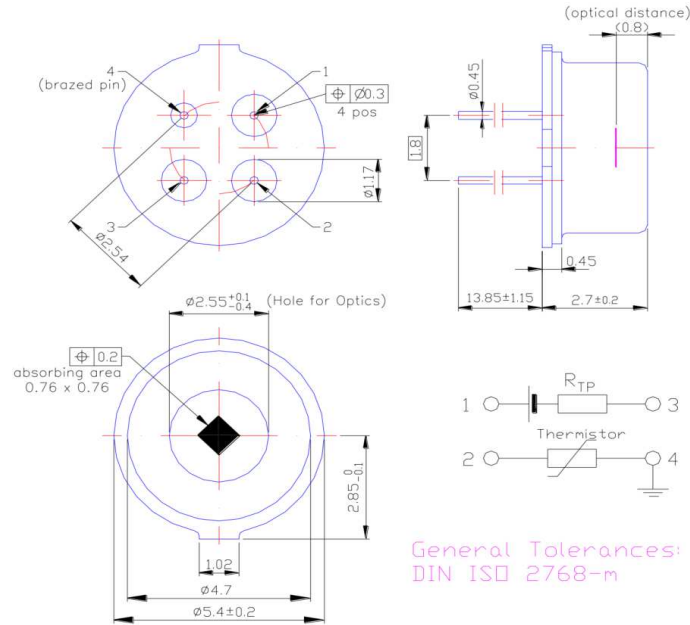
HTS Q21



HMS J21

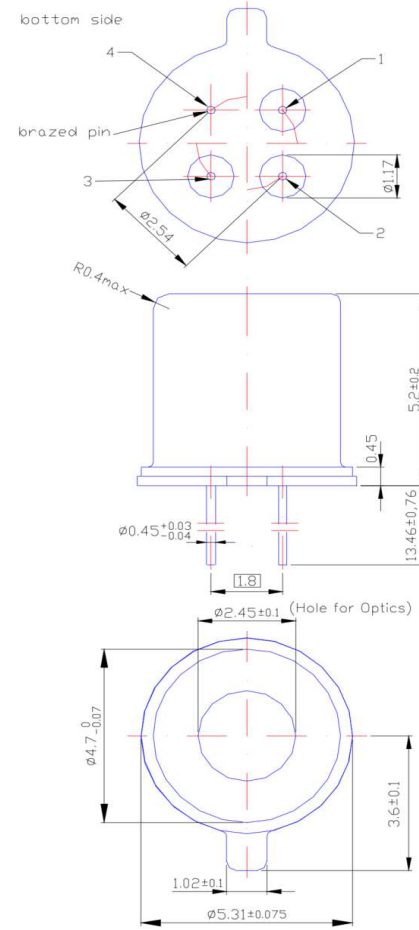


HMS K1C1

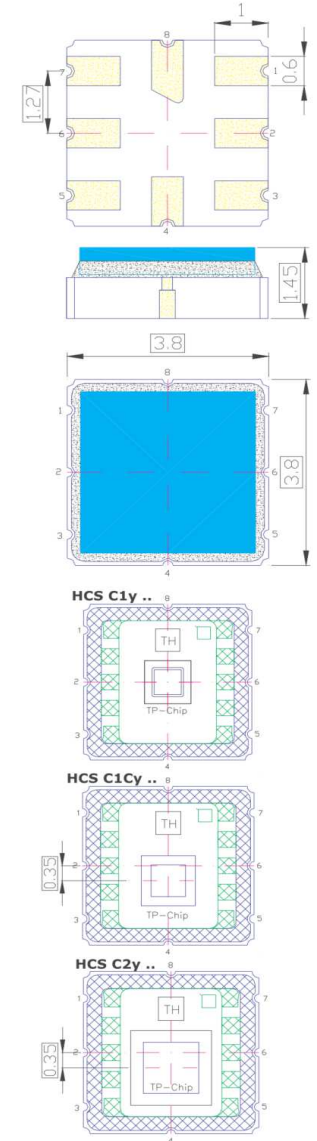


General Tolerances:
DIN ISO 2768-m

HMS M11 L3.0



HCS C11



HMS Z11

